

Product Brief



Evaluation Board for i.MX6 SMARC Module

TES' **MAGIK-2 family** of platforms comprises various COM (Computer-on-Module) products as well as application specific carrier cards and associated software packages. Dedicated system solutions targeting certain application areas are composed of these aforementioned components and represent market ready but still customizable platforms. In particular, the following application areas are addressed:

- Human Machine Interface (HMI)
- Audio processing
- Video processing
- Video combined with graphics
- Network and Connectivity
- Wireless Remote Controls

These system solutions are reducing time-to-market and the risk of a product development significantly and are therefore the ideal basis for such endeavors.

All Magik-2 System Solutions are available as complete packages consisting of hardware and associated ready-to-go software. All software components are alternatively also offered as IP cores for use on existing hardware. Porting can be offered on request.

Standard operating system is Linux, but versions for Windows Embedded Compact 7 / 2013 or Android are available on request.

Product development made easy, with the industry leading, complete system solution packages from TES!

The "Evaluation Board" details:

- Evaluation Carrier Board is equipped with a variety of IO interfaces that allow the user to build and test their end application solutions before actually productizing the concept.
- The Evaluation board is compatible and intended to be used with TES' family of SMARC modules based on the i.MX 6 applications processor from Freescale with solo (M2-SM6-1S), dual lite core (M2-SM6-D2L), dual core (M2-SM6-2D) or quad core (M2-SM6-4Q) ARM Cortex A9 CPUs
- Ready-to-go software package with Linux optimized BSP, middleware, media suites. Custom BSP adaptations can be offered on request.

The "Evaluation Board" leverages TES' outstanding expertise in multimedia and embedded control technologies. This expertise enables a market leading system performance.

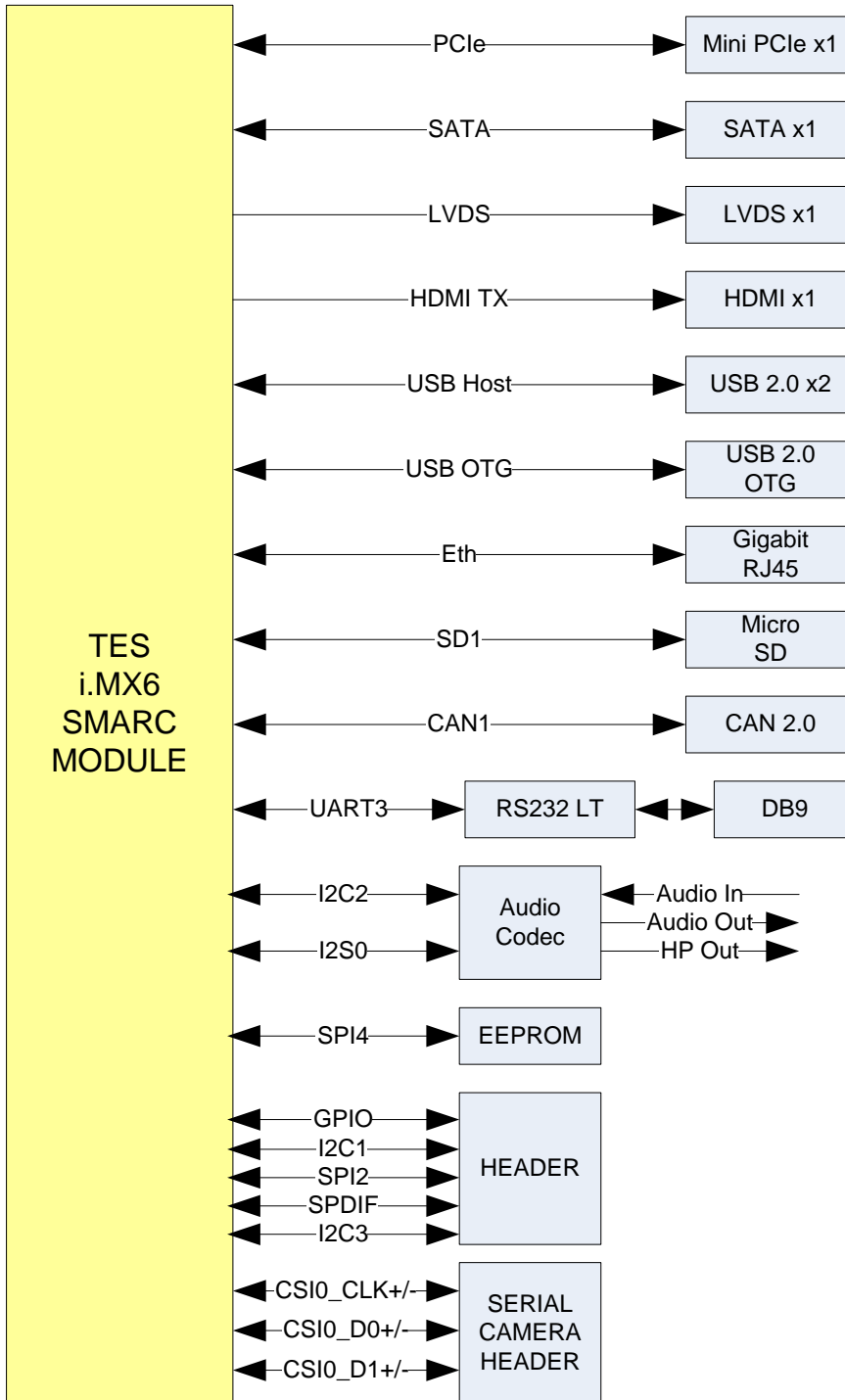
One key value of TES' system solutions is the ready-to-go software package described above.

For the "Evaluation board" Linux is available as standard offering, but versions for Windows Embedded Compact 7 / 2013 or any other RTOS are available on request.

Technical Information	Evaluation Carrier Board
Slot for Processing Unit	<ul style="list-style-type: none"> • SMARC Compliant • For TES i.MX 6 Computer on Module (Quad/Dual/Dual Lite/Solo)
Video Output	<ul style="list-style-type: none"> • 1x HDMI Out (HDMI 1.4a) • 1x LVDS Out (Single Channel 18/24 bits)
Ethernet	<ul style="list-style-type: none"> • 1x 10/100/1000 Mbps • RJ45 Ethernet Connectors
CAN	<ul style="list-style-type: none"> • CAN 2.0B Support • CAN Header
USB Host	<ul style="list-style-type: none"> • Standard USB 2.0 Host - x2 • Type A Connector
USB OTG	<ul style="list-style-type: none"> • Standard USB 2.0 OTG - x1 • micro AB Connector
SDIO	<ul style="list-style-type: none"> • Micro SD card support (SDXC)
PCIe	<ul style="list-style-type: none"> • X1 Single Lane PCIe 2.0
Storage	<ul style="list-style-type: none"> • SATA
Analog Audio	<ul style="list-style-type: none"> • Microphone IN • Headphone OUT • Line OUT
Serial	<ul style="list-style-type: none"> • X1 RS232 • DB9
Power Input	<ul style="list-style-type: none"> • Standard 5V Adaptor Input
Temperature Range	<ul style="list-style-type: none"> • Commercial
RoHS	<ul style="list-style-type: none"> • The hardware is RoHS compliant



Block Diagram



Ordering Information		
Article	Part No.	Description
Evaluation Carrier Board	M2-CB-EVA-BOARD	Carrier Board For Module Evaluation & Software Development
SMARC Module alternatives		
MAGIK-2 SMARC Module (quad core)	M2-SM6-4Q1G-1G-4G-IT-S	i.MX6 Quad, 1GHz, 1GB RAM, 4GBytes Flash, Industrial Grade, 80mmx52mm
MAGIK-2 SMARC Module (dual core)	M2-SM6-2D1G-1G-4G-IT-S	i.MX6 Dual, 1GHz, 1GB RAM, 4GBytes Flash, Industrial Temperature, 80mmx52mm

Refer to MAGIK 2 SMARC Module Product Brief for more possible combinations of Computer on Module part numbers

Sales Offices

Germany / DACH Region

TES Electronic Solutions GmbH
Zettachring 8
70567 Stuttgart
Germany

Phone: +49 (0)711 7287 7450
Email: info@tes-dst.com

UK & Nordics

TES Electronic Solutions
Building 33
26 Research Avenue North
Heriot Watt University Research Park
Riccarton
Edinburgh EH14 4AP
UK

Phone: +44 131 603 5100
Email: info@tes-dst.com

France & Italy

TES Electronic Solutions
C/o Elsys Design
David Mudard
23 rue Jules Vallès
69100 Villeurbanne / Lyon
France

Phone: +33 (0)472 7460 32
Email: info@tes-dst.com

India & AsiaPac

TES Electronic Solutions
#65, 35th Main, BTM 2nd Stage
100ft Ring Road
Bangalore, Karnataka-560068
India

Phone: +91-80-66995800 / +91-80-26686460
Email: info@test-dst.com

For inquiries from all other countries / regions, please contact our HQ in Germany